



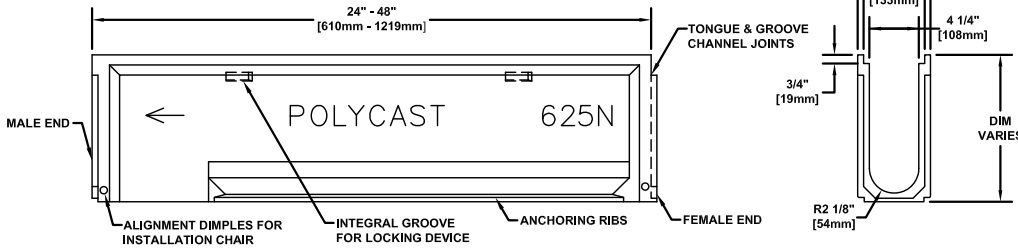
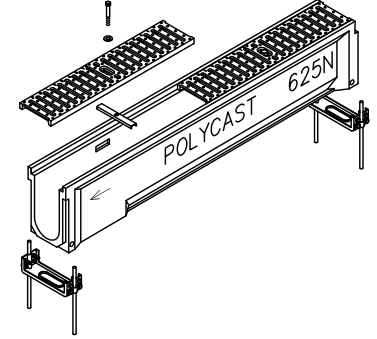
PROJECT ID/ CONTRACT NO: \_\_\_\_\_

## 600 Series Pre-Sloped Trench Drain System

LOCATION: \_\_\_\_\_

**ENGINEERING SPECIFICATION:**

POLYCAST® 600 Series Pre-Sloped Trench Drain System is a .65% sloped trench drain, with 6 1/4" [159mm] wide x a nominal 48" [1219mm] long (standard) polyester polymer concrete channels with tongue and groove connections. Channels 605/610/615/620/625 and non-sloping (neutrals) will be supplied with drill outs for a 4" [102mm] bottom outlet, Grating locking devices, installation chairs and end caps with a 4" [102mm] drain drill out as required. Installation chairs are recommended for installation of drainage channels.



<input checked="" type="checkbox"/>	<b>Channel Number</b>	<b>Part No.</b>
<input type="checkbox"/>	Polyester Concrete Channels	DP06 __
<input type="checkbox"/>	Vinyl Ester Concrete Channels	DV06 __

Grate Options (Select One)		
<input checked="" type="checkbox"/> Grate Type	Part No.	DIN Load Class
<input type="checkbox"/> Galvanized Steel Solid (ADA Compliant)	DG0645	Class A
<input type="checkbox"/> Galvanized Steel Perforated (ADA Compliant)	DG0646	Class A
<input type="checkbox"/> Stainless Steel Perforated (ADA Compliant)	DG0657	Class A
<input type="checkbox"/> Stainless Steel Solid (ADA Compliant)	DG0667	Class A
<input type="checkbox"/> Galvanized Steel Slotted	DG0640	Class B
<input type="checkbox"/> Plastic Coated Galvanized Sheet	DG0640C	Class A
<input type="checkbox"/> Stainless Steel Slotted	DG0647	Class A
<input type="checkbox"/> DURAGUARD® Slotted	DG0670	Class A
<input type="checkbox"/> DURAGUARD® Longitudinal (ADA Compliant)	DG0675	Class A
<input type="checkbox"/> Fiberglass (5/8" Spacing)	DG0644	Class B
<input type="checkbox"/> Double Galvanized Steel Slotted	DG0640R	Class C
<input type="checkbox"/> Fiberglass (3/8" Spacing)	DG0644SP	Class C
<input type="checkbox"/> Double Galvanized Steel Solid (ADA Compliant)	DG0645R	Class C
<input type="checkbox"/> Double Galvanized Steel Perforated (ADA Compliant)	DG0646R	Class C
<input type="checkbox"/> Double Stainless Steel Slotted	DG0647R	Class C
<input type="checkbox"/> Double Stainless Steel Perforated (ADA Compliant)	DG0657R	Class C
<input type="checkbox"/> Double Stainless Steel Solid (ADA Compliant)	DG0667R	Class C
<input type="checkbox"/> Abbott, Decorative iron	DG0693	Class C
<input type="checkbox"/> Patriot, Decorative Ductile Iron	DG0692	Class C
<input type="checkbox"/> Spiral Decorative Ductile Iron	DG0694	Class C
<input type="checkbox"/> Cobblestone, Decorative Ductile Iron	DG0695	Class C
<input type="checkbox"/> Cast Iron Slotted	DG0641	Class C
<input type="checkbox"/> Ductile Iron Slotted	DG0641D	Class D
<input type="checkbox"/> Ductile Iron Longitudinal Slotted (ADA Compliant)	DG0675HD	Class D
<input type="checkbox"/> Cast Iron Solid (ADA Compliant)	DG0675HD	Class D

<input checked="" type="checkbox"/> Options (Select All That Apply)	Part No.	Additional Specifications:
<input type="checkbox"/> Galvanized Steel POLYGUARD	DA0620A	
<input type="checkbox"/> Stainless Steel POLYGUARD	DA0620B	
<input type="checkbox"/> Drain End Cap (6" Outlet)	DA0620D6	
<input type="checkbox"/> Installation Alignment Chair	DA0633	
<input type="checkbox"/> Locking Device For Galvanized & DURAGUARD® Grates	DA0642	
<input type="checkbox"/> Locking Device For Cast & Ductile Iron Grates	DA0642B	
<input type="checkbox"/> Locking Device For Fiberglass Grates	DA0642F	
<input type="checkbox"/> Locking Device For Stainless Steel Grates	DA0642S	
<input type="checkbox"/> 6 1/4 x 24 Catch Basin	DP0650	
<input type="checkbox"/> 12 x 24 Catch Basin	DP0651	
<input type="checkbox"/> 24 x 24 Open Bottom Catch Basin	DP0653OB	
<input type="checkbox"/> 24 x 24 Solid Bottom Catch Basin	DP0653SB	
<input type="checkbox"/> Extender Panels	DP0660	
<input type="checkbox"/> Shovel Head	DA0661	
<input type="checkbox"/> 4" Strainer (For Bottom/End Outlet)	DA0662	
<input type="checkbox"/> End Cap (Inlet/Outlet)	DA0670M/DA0670	
<input type="checkbox"/> Channel Adaptor (Male/Female)	DP0699M/DP0699F	

**Meets the following Standards & Specifications:**

- DIN 19580 / DIN EN 1433 Drainage Channels for Vehicular and Pedestrian Areas
- AASHTO H-20 and H-25 per AASHTO M-306 Drainage, Sewer, Utility and Related Castings
- ASTM Standard D543, Test Method for Resistance of Plastics to Chemical Reagents
- ASTM Standard D570, Test Method for Water Absorption of Plastic
- ASTM Standard D576, Practice for Determination of Weight and Shape Change of Plastics Under Accelerated Service Conditions
- ASTM Standard G53, Recommended Practice for Operating Light and Water Exposure Apparatus for Exposure of Non-Metallic Materials
- ASTM Standard C78, Test Method for Flexural Strength of Concrete
- ASTM Standard C579, Test Method for Compressive Strength of Chemical Resistant Mortars and Monolithic Surfacing's



www.polycastdrain.com  
Toll Free Number:  
1-800-346-3062